

r. **Flow[®]A**
Lamella mat made
of mineral wool



Energy to live



ROHHE[®]

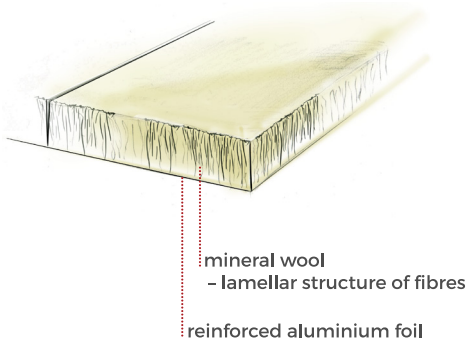
Product

r. Flow[®]A

is a mineral wool lamella mat covered with reinforced aluminium foil. The mineral wool used has fibres perpendicular to the insulated surface (lamellar structure).



Product structure

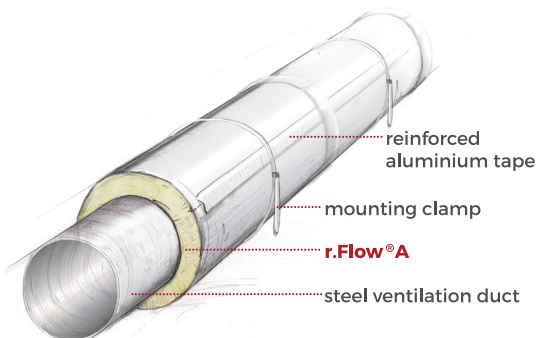


Application

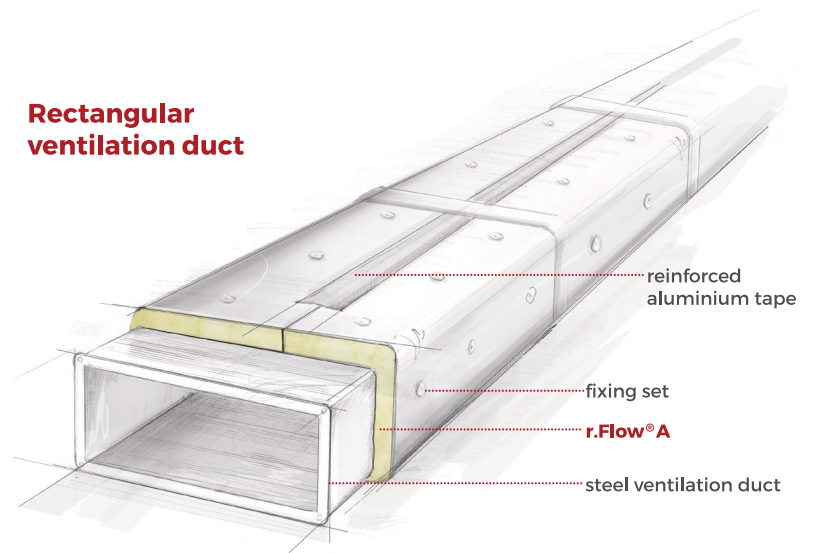
r. Flow[®]A

is designed for thermal, anti-condensation and acoustic insulation of ventilation and air conditioning ducts. This product is also used for insulation of heating systems.

Circular ventilation duct



Rectangular ventilation duct

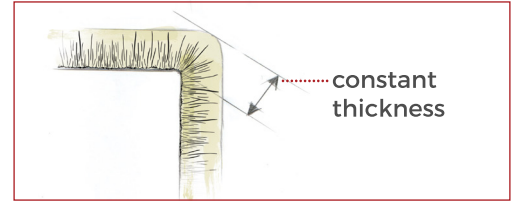


Advantages of the lamellar fibre system

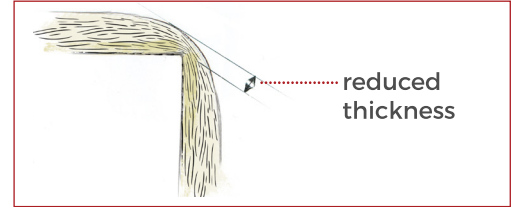
r.**Flow**[®]**A**

has a lamellar system of mineral wool fibres thanks to which the thickness of insulation remains constant all over the surface. This is especially important in corners and bends of insulated elements. Thanks to its construction, r.Flow[®]A is resistant to squeezing, thus maintaining excellent flexibility and consistency.


Lamella mat - perpendicular arrangement of fibres



Traditional mat - parallel arrangement of fibres



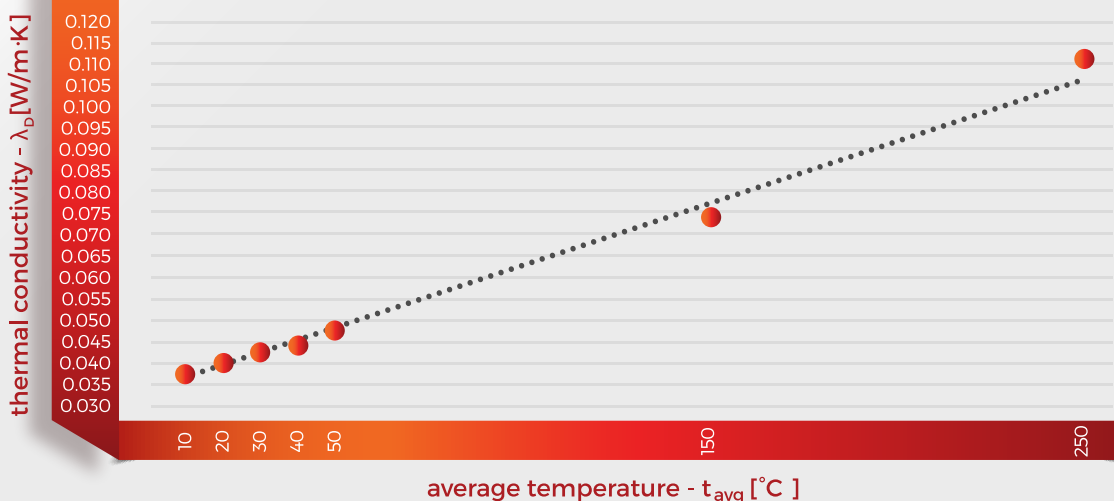
Technical details

PARAMETER	VALUE	UNIT	SYMBOL	STANDARD
declared thermal conductivity (temp. 10°C)	0,038	W/m·K	λ_D	EN 12667
reaction to fire	incombustible	class	A1	EN 13501-1
maximum service temperature	250	°C	ST(+) ₂₅₀	EN 14706
short-term water absorption	≤ 1	kg/m ²	WS1	EN 1609
thickness tolerance	-3 / +5	mm	T4	EN 823
Product CE code	MW - EN 14303 - T4 - ST(+) ₂₅₀ - WS1			
Product Standard	PN-EN 14303:2009+A1:2013			
Environmental Product Declaration	nr 01-12/2024			
Product Documents	www.rohhe.com/documents			

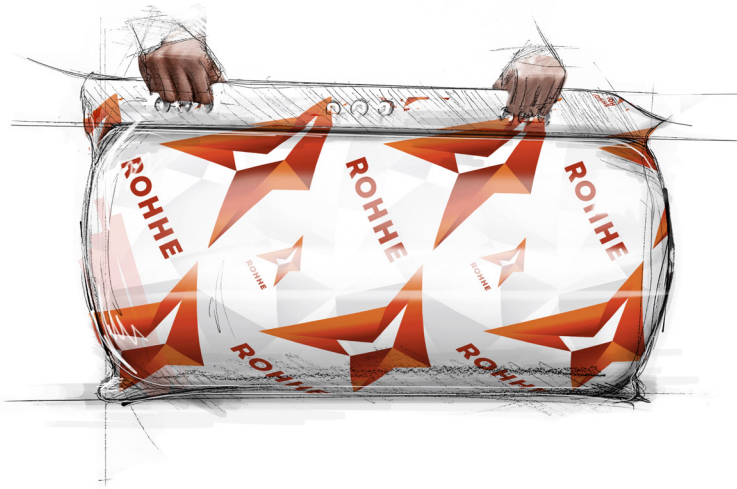
Values of declared thermal conductivity (λ_D) at selected average temperatures

temperature [°C]	10	20	30	40	50	150	250
λ_D [W/m·K]	0,038	0,040	0,042	0,044	0,047	0,072	0,112

Change in the thermal conductivity depending on the average temperature



Packaging method



r.Flow®A has the form of uncompressed rolled mat. Every roll is packed in a leak-proof LDPE bag. The bag is sealed, which guarantees full protection against moisture. In order to facilitate the transport of individual packages, the bags are equipped with handles located along the entire height of the bag.

Twenty-five **r.Flow®A** rolls are arranged on a wooden pallet (2.4 x 1.0 m) in three layers. Two bottom layers consist of 20 rolls arranged vertically. Five rolls are at the top of the pallet. It is secured from top to bottom with a heavy-duty LDPE hood and additionally wrapped in stretch foil. Such a packaging method effectively protects the product from damage during transportation and storage operations. It also enables safe storage outdoors in all weather conditions.

January 2025



Dimensions and quantities

THICKNESS	LENGTH	WIDTH	QUANTITY IN A ROLL	QUANTITY ON A PALLET
mm	mm	mm	m ²	m ²
20	12 000	1 000	12	300
25	10 000	1 000	10	250
30	8 000	1 000	8	200
40	6 000	1 000	6	150
50	5 000	1 000	5	125
60	4 000	1 000	4	100
80	3 000	1 000	3	75
100	2 500	1 000	2,5	62,5

ROHHE Partner:



www.rohhe.com

ROHHE Sp. z o.o.

05-555 Tarczyn, Al. Krakowska 19A
tel. +48 22 299 88 33, biuro@rohhe.pl

Orders: 736 233 377, zamowienia@rohhe.pl
Logistics: 736 233 372, logistyka@rohhe.pl
Sale - Poland: 736 233 371, 736 233 375, 797 654 015, 793 500 140,
736 233 378, 736 233 374, sprzedaz@rohhe.pl
Sale - Export: 736 233 379, export@rohhe.pl



ROHHE®